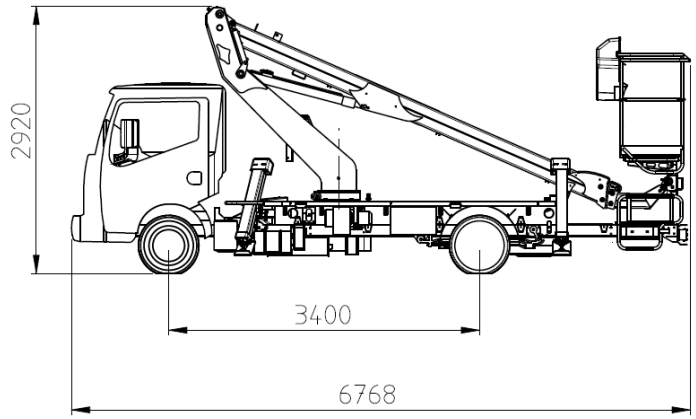
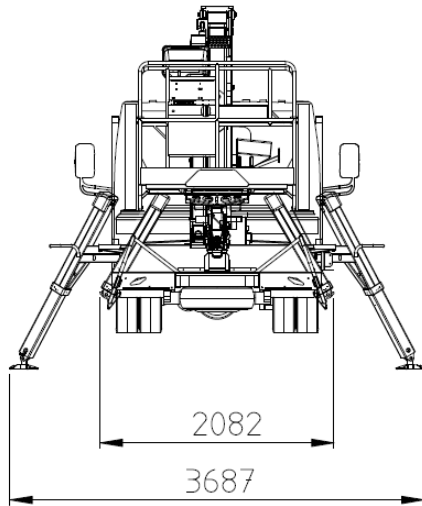




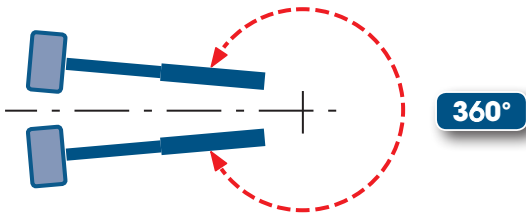
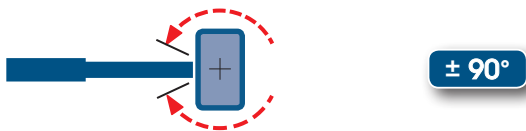
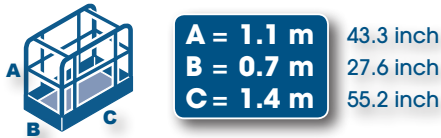
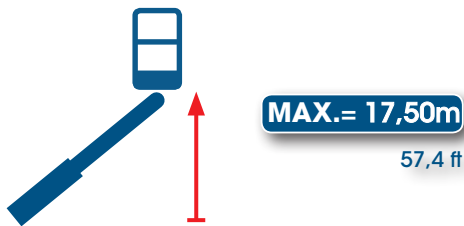
GT 18
AERIAL PLATFORM

M Double Pantograph GT 18

3.5 t
7716 lbs



REV. 03/2016



HYDRAULIC PROPORTIONAL

